



3307 HT / 3307 HT P

3307 HT - Compactor with vibratory smooth roller drum

3307 HT P - Compactor with vibratory padfoot drum

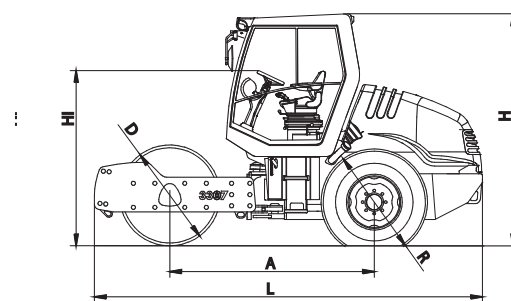
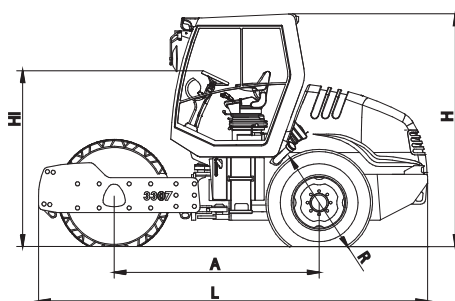
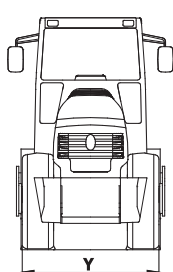
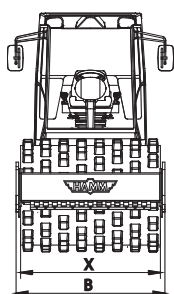


- ▶ Ergonomic driver seat for perfect all-round visibility
- ▶ Clear information display
- ▶ Hammtronic electronic machine management
- ▶ Excellent hill climbing ability via self-locking differential
- ▶ 3-point swivel joint for optimum driving comfort
- ▶ Hydrostatic steering
- ▶ Optimum ease of maintenance, long service intervals



3307 HT / 3307 HT P

3307 HT - Compactor with vibratory smooth roller drum
3307 HT P - Compactor with vibratory padfoot drum



		3307 HT	3307 HT P
Weights			
Operating weight with ROPS	kg	6620	6620
Operating weight with cab	kg	6840	6840
Operating weight, max.	kg	8410	7420
Axle load, front/rear	kg	3960/2880	3960/2880
Load per tyre, rear	kg	1440	1440
Static linear load, front	kg/cm	23,3	
French classific., data/class		29,4/VM2	29,2/VPM2
Machine dimensions			
Max. working width	mm	1680	1680
Lateral overhang, left/right	mm	55/55	55/55
Ground clearance, left/right	mm	400/400	400/400
Ground clearance, centre	mm	310	310
Turning radius, inside	mm	3060	3060
Drum thickness, front	mm	25	15
Number of padfeet			112
Height of the padfeet	mm		80
Front area of padfeet	cm ²		113
Size of tyres, rear		AW 14.9-24 8 TL	TR 14.9-24 8 TL
Diesel engine			
Manufacturer		DEUTZ	DEUTZ
Type		TD 2011 L04 W	TD 2011 L04 W
Number of cylinders		4	4
Power rat. ISO 14396, kW/PS/rpm		55,4/75,3/2600	55,4/75,3/2600
Power rating SAE J1349, kW/HP/rpm		55,4/74,2/2600	55,4/74,2/2600
Emissions standard EU/USA		III A / Tier 4i	III A / Tier 4i
Fuel tank, capacity	L	175	175
Drive			
Hydrostatic drive, front/rear		Hydraulic motor/axle	Hydraulic motor/axle
Regulation, infinitely variable		Hammtronic/manual	Hammtronic/manual
Speed, infinitely variable	km/h	0 - 12,5	0-11,9
Climbing ability, vibration on/off	%	57/62	65/70
Vibration system			
Hydrostatic drive			
Vibration			
Vibration frequency, front, I/II	Hz	30/42	30/42
Amplitude, front, I/II	mm	1,7/0,6	1,7/0,6
Centrifugal force, front, I/II	kN	125/95	125/95
Steering			
Steering, type		Articulated steering	Articulated steering
Steering, actuation		hydrostatic, steering wheel	hydrostatic, steering wheel
Steering angle +/-	°	35	35
Oscillation angle +/-	°	10	10
Equipment			
Spring-mounted driver seat, Double-sided access, Seat console, can be moved and swivelled laterally, Continuously variable hydrostatic all-wheel drive, Automatic traction and slip control, Excellent engine power with traction control, Engine management, Speed pre-selection, Automatic frequency control with digital display, Swivelling steering and instrument console, Modern information and indicator display, Tilttable GRP bonnet			
Optional equipment			
Spotlights, Exterior and interior mirrors, Radio, Heating with dust-free ventilation, Air conditioning, ROPS/FOPS, Sunroof, HCQ compression meter, Sound insulation, HCQ printer, HCQ GPS compression documentation, Tachograph			

Total length	L	4680	4680
Width	B	1790	1790
Total height	H	2795	2820
Wheel base	A	2465	2465
Roller drum width	X	1680	1680
Drum diameter	D	1216	1356
Width over tyres	Y	1650	1650
Diameter of tyres	R	1280	1280
Height loading, min.	HI	2110	2160